

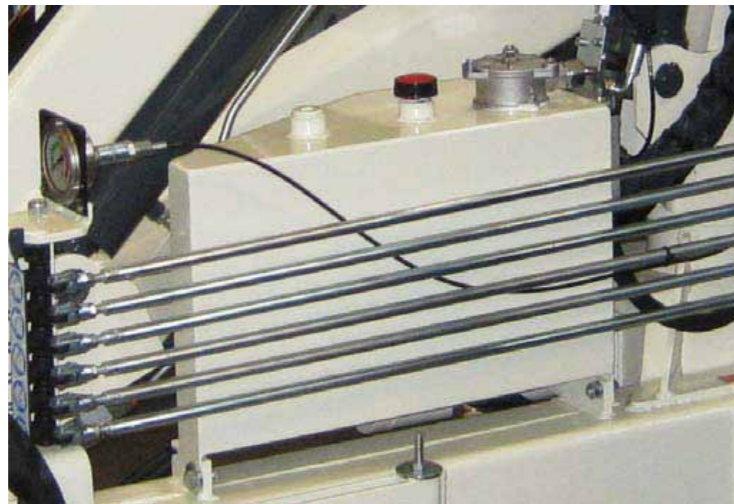
WIRTSCHAFTLICH, FLEXIBEL, STARK

Economical, flexible, strong-Économique, flexible, forte-Economica, flexible, fuerte

ATLAS

35

Krane / Cranes / Grues / Grúas



Stedinger Straße 324
D-27751 Delmenhorst
Germany
Tel. +49 (0) 4221-491-0
Fax +49 (0) 4221-491-443
info@atlasgmbh.com

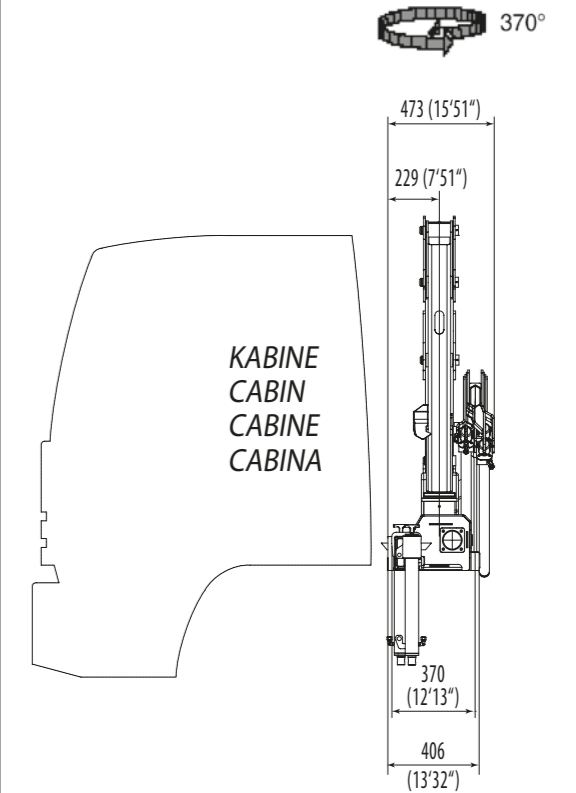
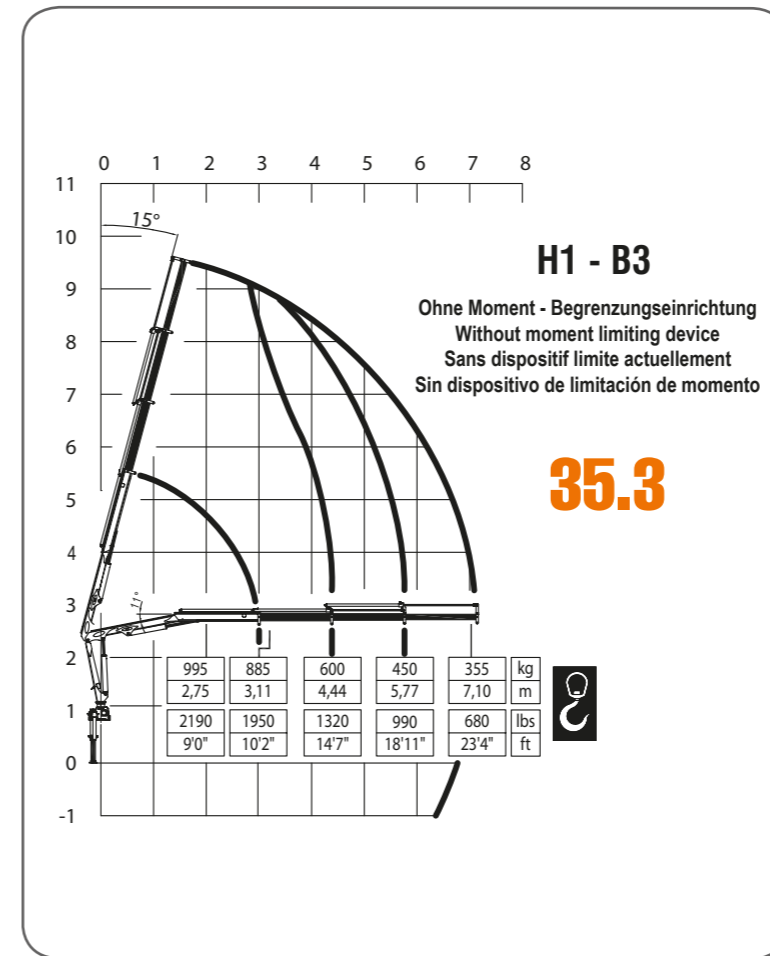
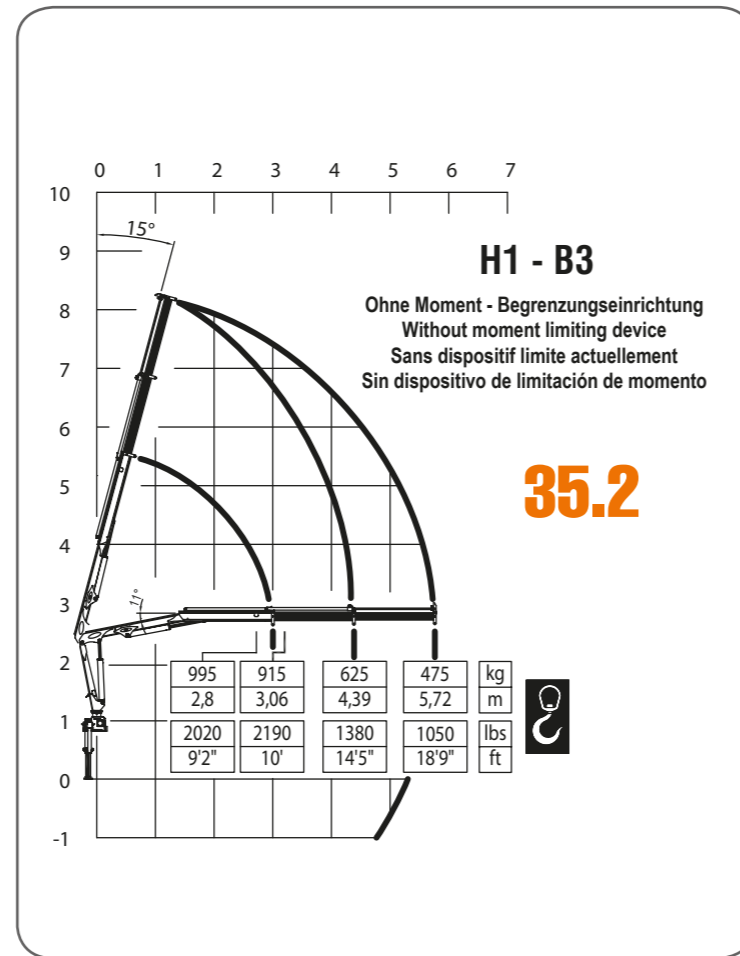
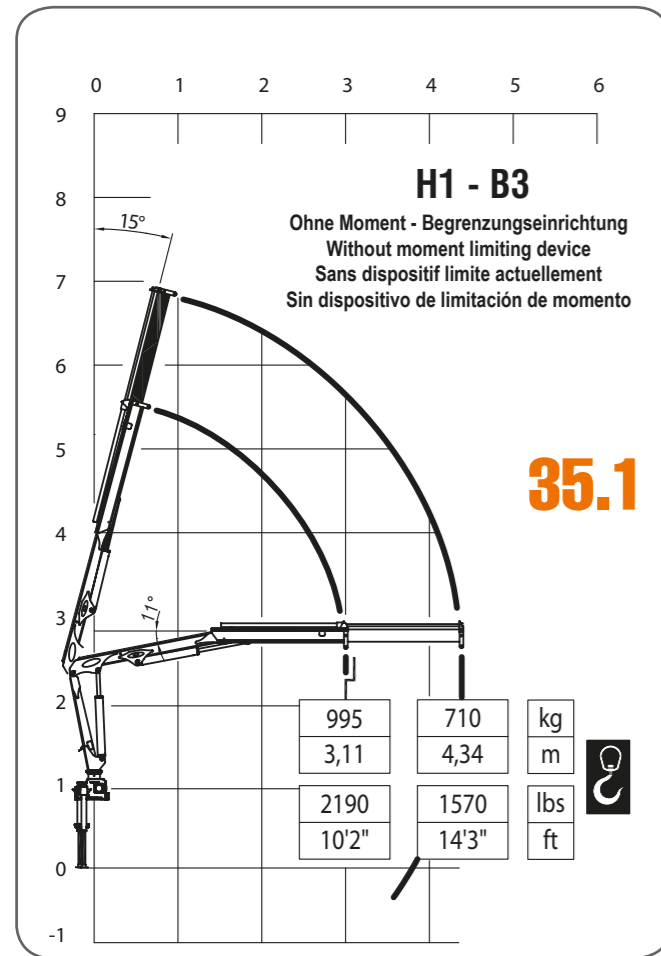
YOUR CONTACT INFORMATION:

- ▶ Technische Daten
- ▶ Caractéristiques techniques
- ▶ Technical Data
- ▶ Datos técnicos

www.atlasgmbh.com

ATLAS

ATLAS



| | 1 | 2 | 3 |
|------------------------|-----------------|-----------------|-----------------|
| - HUBMOMENT | | | |
| - MAX LIFTING MOMENT | 30,36 kN.m | 27,47 kN.m | 27 kN.m |
| - COUPLE DE LEVAGE | | | |
| - MOMENTO DE ELEVACION | 21959 lbs.ft | 19869 lbs.ft | 19529 lbs.ft |

| | 1 | 2 | 3 |
|-----------------------------|-----------------|-----------------|-----------------|
| - FÖRDERMENGE DER PUMPE | | | |
| - RECOMMENDED PUMP DELIVERY | 10 l/min | 10 l/min | 10 l/min |
| - PORTÉE DE LA POMPE | | | |
| - CAUDAL DE LA BOMBA | 2,63 gal/min | 2,63 gal/min | 2,63 gal/min |

| | | | |
|----------------------|------|------|------|
| - SCHWENKBEREICH | | | |
| - SLEWING ANGLE | 400° | 400° | 400° |
| - ZONE DE PIVOTEMENT | | | |
| - AREA DE GIRO | | | |

| | | | |
|------------------------------------|-------------|-------------|-------------|
| - FASSUNGSVERMÖGEN DEL ÖLBEHALTERS | | | |
| - OIL TANK CAPACITY | 30 l | 30 l | 30 l |
| - CAPACITÉ RÉSERVOIR HUILE | | | |
| - CAPACIDAD DEL DEPOSITO DE ACEITE | 7,92 gal | 7,92 gal | 7,92 gal |

| | | | |
|----------------------------|----------------|----------------|----------------|
| - MAX SCHWENKMOMENT | | | |
| - SLEWING TORQUE | 500 daNm | 500 daNm | 500 daNm |
| - COUPLE MAXI. DE ROTATION | | | |
| - POTENCIA MÁXIMA DE GIRO | 3617 lbs.ft | 3617 lbs.ft | 3617 lbs.ft |

| | | | |
|---------------------------|----------|----------|----------|
| - LKW MIN. G.G.W. | | | |
| - TRUCK MIN. G.V.W. | 2,8 t | 2,8 t | 2,8 t |
| - CAMIONMIN. P.T.A.C. | | | |
| - CAMION PESO MIN. P.T.T. | | | |

| | | | |
|------------------------|-------------|-------------|-------------|
| - DRUCK | | | |
| - MAX WORKING PRESSURE | 260 bar | 260 bar | 260 bar |
| - PRESSION | | | |
| - PRESSIÓN | 3770 psi | 3770 psi | 3770 psi |

| | | | |
|----------------|------------|-------------|-------------|
| - GEWICHT | | | |
| - CRANE WEIGHT | 420 Kg | 455 Kg | 490 Kg |
| - POIDS | | | |
| - PESO | 930 lbs | 1000 lbs | 1080 lbs |

