

ATLAS

Crawler excavator 175LC_{SR}

Short-tail excavator
Swing radius 1575 mm



-  18.8 t
-  95 kW (130 HP)
-  0.67 - 1.12 m³



ROBUST. STRONG. STABLE.
175LC_{SR}

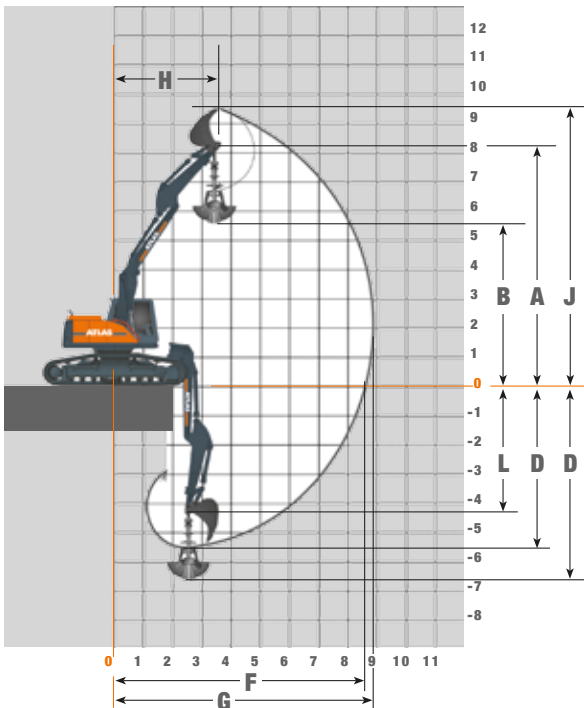
Technical specifications

ENGINE	HYDRAULIC SYSTEM	EQUIPMENT
Power rating acc. to ISO 9249 95 kW (130 HP)	• AWE 4 system	BASIC UNIT A41.82:
RPM 1800/min	• Load limit controlled high-performance pump	• Base arm C53.41
Make / model Deutz TCD 4.1 (Stage 3B)	• Fuel-efficient flow-on-demand control	• Adjustable boom C53.46, working length 3095 mm
Design Turbocharger/Charge Air cooling	• Suction valves for all work functions	• Stick D53.3, working length 2650 mm
Displacement 4040 cm ³	• Load-retaining a. fine lowering valves in lifting circuit	DRIVER'S CAB:
Number of cylinders 4	• Restrictors in the lift and articulating circuits	• Air-conditioning
Cooling system Water-cooled	• Primary and secondary overload protection	• Preparation for radio installation
Air filter Dry air filter	• Hydraulic system 1 x Axial piston pump	• Air-cushioned comfort seat (seat heating optional)
Battery 2 x 12 V / 100 Ah	• Main pump HPR 135	• Panorama glazing with heat-absorbing glass
Generator 24 V / 55 Ah	• Max. oil flow 240 l/min	
Starter 24 V / 4 kW	• Max. operating pressure 340 bar	

TRACTION DRIVE	UNDERCARRIAGE	FILL CAPACITIES
• Max. speed 2.4 / 5.0 km/h	• X-frame	• Fuel tank 190 litres
• Tractive force 153 kN	• Track 2.2 m, Base plate width 600 mm	• Engine oil 13 litres
• Max. gradeability 70%	• Drive quality B4HD	• Hydraulic tank 200 litres

DRIVER'S CAB	SWING ASSEMBLY	ATTACHMENTS (SELECTION)
• Type Atlas comfort cabin 935	• Max. swing speed 9/min	• Bucket F415 / 0.67 m ³ / 850 mm wide
• Total length 1760 mm	• Swing torque 37.5 kNm	• Bucket F416 / 0.82 m ³ / 1000 mm wide
• Width 935 mm	• Automatically controlled multi-disc brake	• Bucket F417 / 0.92 m ³ / 1100 mm wide
• ISO 6396 (L _{pA}) in driver's cab 75 dB(A)	• Axial piston motor with priority valve	• Bucket F648 / 1.12 m ³ / 1300 mm wide
• 2000/14 EG (L _{vA}) ambience level ..98 dB(A)		

Working ranges Hydraulic adjustable boom (C53.41)



		Bucket	Grabs
A	Bucket pivot point	8.72 m	8.72 m
B	Max. digging height	-	6.22 m
D	Max. digging depth	5.58 m	6.68 m
F	Max. reach	7.90 m	7.90 m
G	Max. digging reach	9.30 m	8.70 m
H	Max. arm position	2.65 m	2.65 m
J	Max. reach height	10.12 m	-
L	Lowest bucket pivot point	4.18 m	4.18 m
	Max. bucket digging force	130kN	-
	Max. stick digging force	72 kN	-
	Grab clamping force	-	73 kN
	Operating Weight	18.8 t	19.0 t
	Tailswing radius	1.575 m	
	Transport length	7.90 m	
	Transport width (800mm Chain width)	3.0 m	
	Transport height	3.02 m	

Lifting capacities Hydraulic adjustable boom (C53.41) and stick 2.65 m (D53.3). Swing radius 1575 mm

Height	3.0 m		4.0 m		5.0 m		6.0 m		7.0 m	
	FRONT	LATERAL	FRONT	LATERAL	FRONT	LATERAL	FRONT	LATERAL	FRONT	LATERAL
+6.0 m					4700*	3894	3894*	2858		
+4.5 m			4806*	4806*	5159*	3844	4614	2953	3446*	2193
+3.0 m	9510*	7973	7561*	5142	5933	3755	4560	2930	3552*	2209
+1.5 m	10510*	7704	8118	5006	5829	3691	4531	2875	3499	2155
+0.0 m	11474*	7601	8089	4948	5836*	3600	4422	2714	3412	2070
-1.5 m	12151*	7208	8263	4694	5760	3431	4261	2554		
-3.0 m	12471*	7141	8104	4556	5575	3262				

All values in kilograms (kg) were determined acc. ISO 10567 and include a stability factor of 1.33 or 87% of the hydraulic lifting capacity. These values are applicable at the top of the arm with optimum positioning of the corresponding arm system and with power boost switched on. *Value limited due to hydraulics.

www.atlasgmbh.com

ATLAS Maschinen GmbH
EXCAVATORS
Atlasstrasse 6
27777 Ganderkesee, Germany
T: +49 (0) 4222 954 0
F: +49 (0) 4222 954 343
info@atlasgmbh.com