

# ATLAS

## Crawler excavator 190LC

### Technical Information

#### Engine

Power rating according to ISO 9249	105 kW (143 PS)
Make/ Model	Deutz TCD 4.1 (Stage 3B)
RPM	1800/min
Design	Turbocharger/Charge Air cooling
Displacement	6057 cm <sup>3</sup>
Cooling system	water cooled

#### Hydraulics

Load limit controlled high performance piston pump with load sensing control. Sensitive, proportional, independent control for multiple operating movements. Load retaining - and fine lowering valves in lifting circuit

Hydraulic system	1 x AKP
Max. oil flow	260 l/min
Operating pressure max.	360 bars

#### Standard Basic Equipment

Atlas Excavator Management 2. Operating data display screen. Rear view security camera with 5 inch LCD-colour monitor. Air-conditioning. Automatic idling system (Diesel motor). Window washing device. Sliding window in door of the cabin. Heat absorbing glass, tinted windows, comfort seat with arm rests and lumbar support, seat adjustable separately from console. Preparation for radio installation with mute function. Fuel indicator Battery main circuit breaker on the negative cable. Pressure accumulator for emergency lowering of the Arm systems. Combined lubricating points. Sealed rotating points in the base arm. Proportional grab/grab rotating function and overload warning device for lifting cylinder. Automatic swing brake.

#### Sound levels

2000/14EG (L <sub>w</sub> A) ambience level	97 dB (A)
ISO 6396 (L <sub>p</sub> A) in driver's cab	70 dB (A)

#### Electrical data

Operating voltage	24 Volt
Cold start-/heavy duty battery	2 x 100 Ah

#### Control

Joystick control with perfectly adjusted response and sensitivity. (SAE recommendations), manual lever steering for forward-, backward and curve movement and counter-rotation of the track chain. Foot pedal for forward and backward drive. Option "Drive" on the foot pedal valve cradle (ISO-Steering).

#### Filling quantities

Fuel tank	264 l
Hydraulic tank	180 l
Motor oil	10 l



#### Cabin

- Meets latest safety standards • Extra large entry zone • Spacious leg room • Excellent circumferential visibility • Preparation for radio installation with mute function
- DRIVER'S SEAT:** • Air-cushioned comfort seat (optional seat heating) • Arm rests and lumbar support • Seat adjustable separately from console
- CONTROL:** • Ergonomic joysticks with proportional slide control • Indicators, controls and operating switches are clearly arranged
- MONITORING:** • Operating data appears display
- Automatic system for monitoring, warning and storage of data
- CLIMATE CONTROL:** • Air conditioning equipped as standard • Very good air distribution through optimally arranged nozzles

Type	Atlas comfort cabin 935-5
Total length	1770 mm
Width	935 mm

#### Slewing gear

Swing motor	Axial piston motor with priority valve
Swing gear	Multistage planetary gear
Swing brake	Automatic multi discs
Drive on internal clogged slewing ring	
Superstructure max. RPM	9/min
Swing torque	39 kNm

#### Speed

Stage 1	max. 0-2,1 km/h
Stage 2	max. 0-4,8 km/h

#### Undercarriage

Complete heavy duty undercarriage in X-design. Crawler unit with asymmetric roof profile and integrated traction drive with planetary transmission. Automatic hydraulic controlled brakes and brake valve. Track guided by rollers and idler unit. Chain tensioner through greasing cylinder, spring loaded. Lubricated chains, drive quality B4HD, track 2200 mm, 4500 mm long, 600 mm track chains.

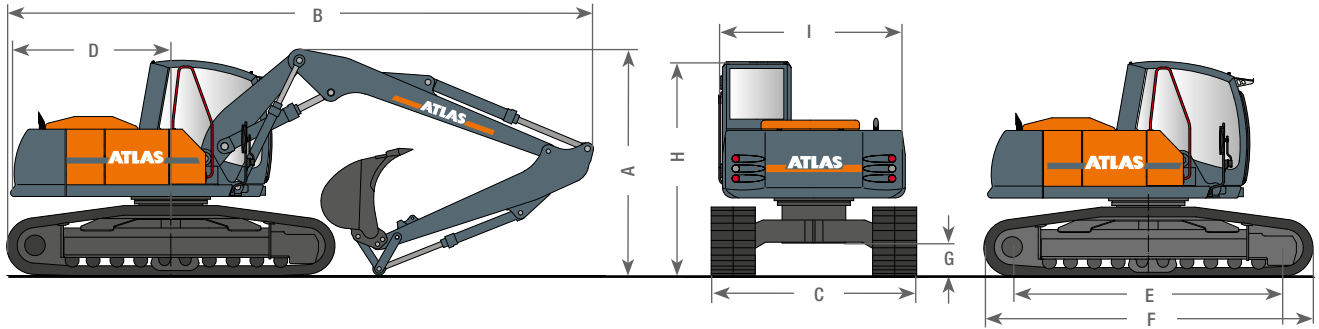
#### Weight

Operating weight	17,5 - 19,7 t
------------------	---------------

# ATLAS

## Main dimensions

190LC Transport position



<b>A</b>	<b>TRANSPORT HEIGHT</b>	<b>B</b>	<b>TRANSPORT LENGTH</b>
	Adjustable boom, 1,95 m (C6.41), 3,62 m (C6.461), 2,16 m (D6.2) .... 2,94 m		Adjustable boom, 1,95 m (C6.41), 3,10 m (C6.461), 2,16 m (D6.2) .... 8,18 m
	Adjustable boom, 1,95 m (C6.41), 3,62 m (C6.461), 2,66 m (D6.3) .... 3,10 m		Adjustable boom, 1,95 m (C6.41), 3,10 m (C6.461), 2,16 m (D6.2) .... 8,05 m
	Monoblock 4,30 m (C6.3M) with Stick 2,16 m (D6.2)..... 2,94 m		Monoblock 4,30 m (C6.3M) with Stick 2,16 m (D6.2)..... 7,65 m
	Monoblock 4,30 m (C6.3M) with Stick 2,66 m (D6.3)..... 3,10 m		Monoblock 4,30 m (C6.3M) with Stick 2,66 m (D6.3)..... 7,55 m
<b>C</b>	<b>TRANSPORT WIDTH WHEEL</b>	<b>F</b>	<b>DRIVELENGTH</b> ..... 4,50 m
	BASE 2,20 m	<b>G</b>	<b>GROUND CLEARANCE</b> ..... 0,46 m
	Base plate width 600 mm ..... 2,80 m	<b>H</b>	<b>HEIGHT OVER CABIN</b> ..... 2,95 m
<b>D</b>	<b>REAR SWIVEL RADIUS</b> ..... 2,19 m	<b>I</b>	<b>SUPERSTRUCTURE WIDTH</b> ..... 2,50 m
<b>E</b>	<b>BEARING CHAIN LENGTH</b> ..... 3,71 m		

Design changes reserved, data not binding. Devices comply with the new European safety regulations.

## Equipment

### Basic unit

<b>A 6.82</b>	ATLAS-Hydraulic-Crawler excavator 190LC with continuously rotating uppercarriage and two lifting cylinders. ATLAS-Cabine 935, air conditioner, swing radius 2190 mm, track 2200 mm, 4500 mm long, track-chain 600 mm wide
---------------	---

### Drive option

<b>6103303</b>	Track 2000 mm, Overall Length 4500 mm B4HD- Drive parts
----------------	---

### Drive option

<b>6051193</b>	Track 2200 mm, Overall Length 5000 mm B4HD- Drive parts
----------------	---

### Boom variants

<b>C 6.3 M</b>	Monoblock boom, one stick cylinder, Length 4320 mm
<b>C 6.4 MG</b>	Monoblock boom straight with, stick cylinder, length 4850 mm
<b>C 6.5 M</b>	Monoblock boom, one stick cylinder, Length 5280 mm
<b>C 6.6 i</b>	Industry boom, length 6000 mm
<b>C 6.41</b>	Adjustable boom: Base boom, adjusting cylinder, hose rupture safety, incl. hydraulic mounting kit, suitable for C 6.46
<b>C 6.46</b>	Boom, one stick cylinder, suitable for C 6.41, Length 3095 mm

Continued: Boom variants

<b>C 6.461</b>	Boom, one stick cylinder, suitable for C 6.41, Length 3620 mm
<b>C 6.462</b>	Boom, one stick cylinder, suitable for C 6.41, Length 4100 mm

### Stick

<b>D 6.2</b>	Stick, length 2160 mm, for Monoblock- and Boom
<b>D 6.3</b>	Stick, length 2660 mm, for Monoblock- and Boom
<b>D 6.31</b>	Stick, length 3160 mm, for adjustable boom
<b>D 6.5</b>	Stick for trench cleaning, length 3550 mm
<b>D 6.14 i</b>	Stick, length 4000 mm, only for C 6.6 i
<b>D 6.14iS</b>	Stick. with straight tip, length 4000 m, only for C 6.6 i

### Bucket cylinder

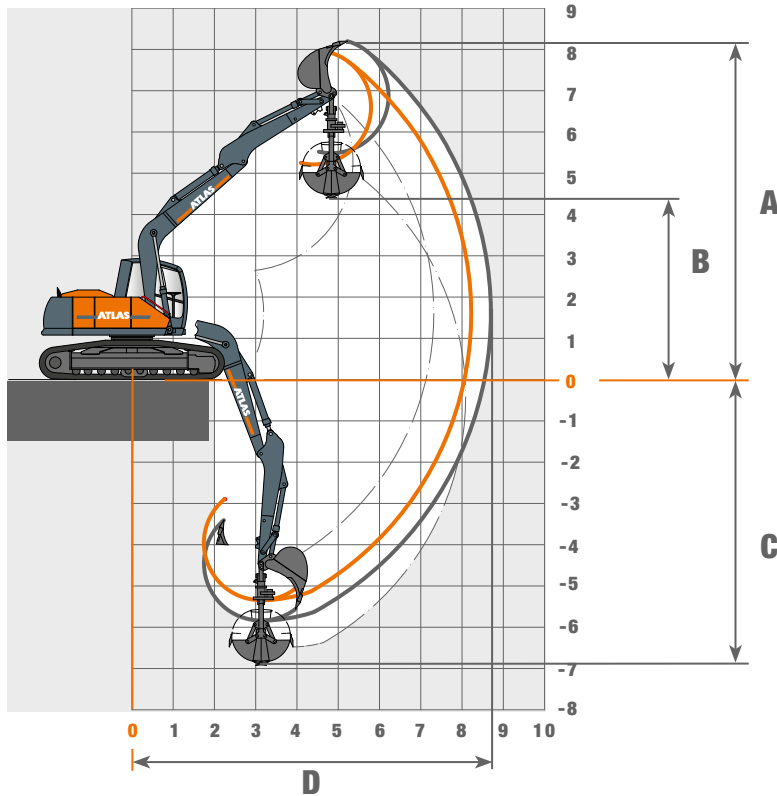
<b>F 6.1</b>	Bucket cylinder, with bucket linkage
--------------	--------------------------------------

### Attachments

		Capacity (SAE)	Cutting width
<b>F 415</b>	Bucket	0,67 m <sup>3</sup>	850 mm
<b>F 416</b>	Bucket	0,82 m <sup>3</sup>	1000 mm
<b>F 418</b>	Bucket	1,12 m <sup>3</sup>	1300 mm
<b>G 644</b>	Trenching bucket	0,56 m <sup>3</sup>	2000 mm

**Working ranges Monoblock boom**

**Equipment**



**Stick D 6.2 - Length 2160 mm**

Equipment: A 6.82, C 6.3M, D 6.2, F6.1, F 416

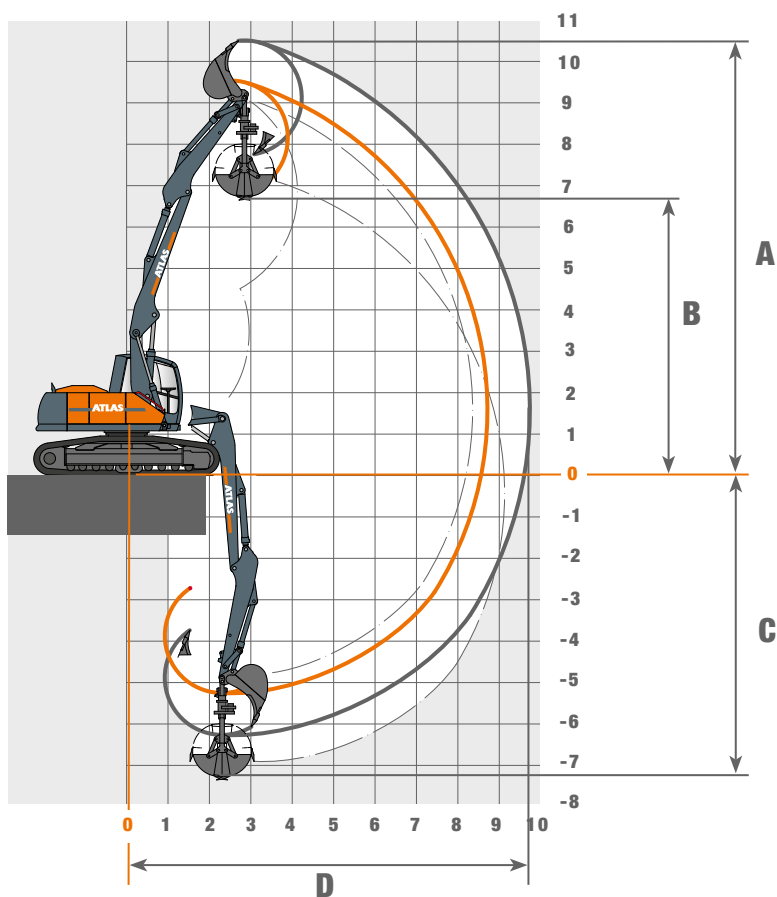
			Dipp	Grabber
A	Max. lifting height	mm	7930	-
B	Max. dump height	mm	5200	4130
C	Max. Digging depth	mm	5340	6430
D	Max. reach	mm	8220	6840
	Breakout force	kN	130	-
	Tear-out force	kN	82	-

**Stick D 6.3 - Length 2660 mm**

Equipment: A 6.82, C 6.3M, D 6.3, F6.1, F 416

			Dipp	Grabber
A	Max. lifting height	mm	8200	-
B	Max. dump height	mm	5500	4400
C	Max. Digging depth	mm	5840	6920
D	Max. reach	mm	8700	7310
	Breakout force	kN	130	-
	Tear-out force	kN	72	-

**Working ranges adjustable boom**



**Stick D 6.2 - Length 2160 mm**

Equipment: A 6.82, C 6.41, C6.46, D 6.2, F6.1, F 416

			Dipp	Grabber
A	Max. lifting height	mm	9550	-
B	Max. dump height	mm	6900	5700
C	Max. Digging depth	mm	5250	6300
D	Max. reach	mm	8700	7350
	Breakout force	kN	130	-
	Tearout force	kN	82	-

**Stick D 6.3 - Length 2660 mm**

Equipment: A 6.82, C 6.41, C6.461, D 6.3, F6.1, F 416

			Dipp	Grabber
A	Max. lifting height	mm	10550	-
B	Max. dump height	mm	7850	6650
C	Max. Digging depth	mm	6260	7350
D	Max. reach	mm	9730	8360
	Breakout force	kN	130	-
	Tearout force	kN	72	-

# ATLAS

## Lifting capacities

Heights	2,5 m		3,0 m		3,5 m		4,0 m		4,5 m		5,0 m		5,5 m		6,0 m		6,5 m		7,0 m	
	LENGTHS	LATERAL	LENGTHS	LATERAL	LENGTHS	LATERAL	LENGTHS	LATERAL	LENGTHS	LATERAL	LENGTHS	LATERAL	LENGTHS	LATERAL	LENGTHS	LATERAL	LENGTHS	LATERAL	LENGTHS	LATERAL
<b>Monoblock boom 4,32 m (C6.3M) with Stick 2,16 m (D6.2). Max. Reach 8,22 m</b>																				
+ 6,0 m	-	-	-	-	-	-	-	-	-	-	-	-	-	-	-	-	-	-	-	-
+ 4,5 m	-	-	-	-	-	-	-	-	-	-	-	-	-	-	-	-	-	-	-	-
+ 3,0 m	-	-	-	-	-	-	5225	5225	4747	4747	4400	4400	3810	3810	3545	3545	-	-	-	-
+ 1,5 m	-	-	-	-	7628	7189*	6445	5973*	5631	5090*	5043	4419*	4601	3890*	4258	3463*	3982	3108*	-	-
+ 0 m	-	-	7101	7101	8099	6961*	6942	5771*	6062	4923*	5383	4286*	4843	3783*	4395	3387*	3985	3064	-	-
- 1,5 m	9470	9470	8672	8672	7512	6973*	6565	5756*	5785	4900*	5128	4266*	4542	3780*	-	-	-	-	-	-
- 3,0 m	7412	7412	6510	6510	5722	5722	4995	4995	4259	4259	-	-	-	-	-	-	-	-	-	-
<b>Monoblock boom 4,32 m (C6.3M) with Stick 2,66 m (D6.3). Max. Reach 8,70 m</b>																				
+ 6,0 m	-	-	-	-	-	-	-	-	-	-	-	-	-	-	-	-	-	-	-	-
+ 4,5 m	-	-	-	-	-	-	-	-	-	-	-	-	-	-	-	-	-	-	-	-
+ 3,0 m	-	-	-	-	-	-	-	-	-	-	4039	4039	3830	3830	3668	3589*	3545	3197*	2871	2863*
+ 1,5 m	-	-	-	-	7074	7074	6021	6021	5294	5127*	4767	4441*	4369	3903*	4059	3469*	3812	3110*	3607	2808*
+ 0 m	-	-	7692	7692	7985	6946*	6798	5760*	5923	4840*	5259	4272*	4742	3771*	4324	3368*	3972	3036*	3142	2762*
- 1,5 m	-	-	9123	8715*	7767	6884*	6723	5686*	4949	4910*	5236	4211*	4681	3725*	4190	3340*	3179	3036*	-	-
- 3,0 m	8707	8707	7450	7450	6446	6446	5653	5653	3008	3008	4289	4281*	3524	3524	-	-	-	-	-	-

Heights	2,5 m		3,0 m		3,5 m		4,0 m		4,5 m		5,0 m		6,0 m		7,0 m		7,5 m		8,0 m	
	LENGTHS	LATERAL	LENGTHS	LATERAL	LENGTHS	LATERAL	LENGTHS	LATERAL	LENGTHS	LATERAL	LENGTHS	LATERAL	LENGTHS	LATERAL	LENGTHS	LATERAL	LENGTHS	LATERAL	LENGTHS	LATERAL
<b>Ground arm 1,95 m (C6.41), Boom 3,62 m (C6.461) with Stick 2,16 m (D6.2). Max. Reach 8,70 m</b>																				
+ 7,5 m	-	-	-	-	-	-	4525	4525	4292	4292	-	-	-	-	-	-	-	-	-	-
+ 6,0 m	-	-	-	-	4901	4901	4501	4501	4190	4190	3942	3942	3592	3546*	-	-	-	-	-	-
+ 4,5 m	-	-	6228	6228	5758	5758	5091	5091	4597	4597	4217	4217	3671	3511*	3307	2778*	-	-	-	-
+ 3,0 m	-	-	5245	5245	5607	5607	5703	5703	5233	4979	4665	4343	3888	3441	3372	2791*	3163	2451*	-	-
+ 1,5 m	6901	6901	6944	6944	6674	6674	6195	5691*	5587	4880	4950	4265*	4039	3404*	3411	2734*	3160	2414*	-	-
+ 0 m	8761	8761	8604	8604	7517	6898*	6421	5733	5594	4908*	4958	4298*	4042	3426*	3446	2641*	3069	2359*	-	-
- 1,5 m	11746	11737*	9319	8842*	7703	7013*	6560	5805*	5713	4944*	5067	4297*	4182	3249*	2970	2580*	-	-	-	-
- 3,0 m	12125	12044*	9707	8872*	8089	7024*	6844	5750*	5810	4824*	4880	4132*	2804	2804	-	-	-	-	-	-
<b>Ground arm 1,95 m (C6.41), Boom 3,62 m (C6.461) with Stick 2,66 m (D6.3). Max. Reach 9,73 m</b>																				
+ 7,5 m	-	-	-	-	-	-	4137	4137	3879	3879	3736	3736	-	-	-	-	-	-	-	-
+ 6,0 m	-	-	-	-	-	-	4706	4706	4291	4291	3964	3964	3352	3352	2897	2783*	-	-	-	-
+ 4,5 m	-	-	4721	4721	5035	5035	4706	4706	4291	4291	3964	3964	3481	3481	3144	2839*	3015	2519*	-	-
+ 3,0 m	-	-	5416	5416	5748	5748	5645	5645	4956	4956	4445	4353*	3734	3429*	3257	2805*	3068	2529*	2895	2230*
+ 1,5 m	6787	6787	6822	6822	6653	6653	6171	5642*	5456	4840*	4827	4227*	3945	3363*	3349	2797*	3109	2477*	2891	2196*
+ 0 m	8821	8821	8146	8146	7301	6773	6306	5640	5500	4828*	4878	4220*	3973	3382*	3350	2697*	3127	2391*	2820	2143*
- 1,5 m	11163	11163	9107	8681	7529	6942	6411	5782*	5582	4935*	4944	4286*	4040	3307*	3386	2583*	2798	2325*	-	-
- 3,0 m	11930	11893*	9488	8765*	7871	6934	6745	5732*	5916	4859*	5180	4144*	3806	3174*	-	-	-	-	-	-
- 4,5 m	10412	10412	8105	8105	6407	6407	5035	5035	-	-	-	-	-	-	-	-	-	-	-	-

The specified max. loading capacities in kilogrammes include a stability of 33% or are calculated at 87% of the hydraulic lifting power, as per ISO10567. These values are applicable at the tip of the arm with optimum positioning of the corresponding arm system and with the pressure switched on. \* Value limited due to hydraulics.

[www.atlasgmbh.com](http://www.atlasgmbh.com)

**ATLAS Maschinen GmbH**

EXCAVATORS

Atlasstrasse 6

27777 Ganderkesee, Germany

T: +49 (0) 4222 954 0

F: +49 (0) 4222 954 343

info@atlasgmbh.com

190LC-EN (1) Effective date: August 2010. Product specifications and prices are subject to change without notice or obligation. The photographs and/or drawings in this document are for illustrative purposes only. Refer to the appropriate Operator's Manual for instructions on the proper use of this equipment. Failure to follow the appropriate Operator's Manual when using our equipment or to otherwise act irresponsibly may result in serious injury or death. The only warranty applicable to our equipment is the standard written warranty applicable to the particular product and sale and Atlas makes no other warranty, express or implied. The only warranty applicable to our equipment is the standard written warranty applicable to the particular product and sale and Atlas makes no other warranty, express or implied. Products and services listed may be trademarks, service marks or trade-names of Atlas Maschinen GmbH and/or its subsidiaries. All rights are reserved. Atlas® is a registered trademark of Atlas Maschinen GmbH. Copyright © 2010 Atlas Maschinen GmbH.