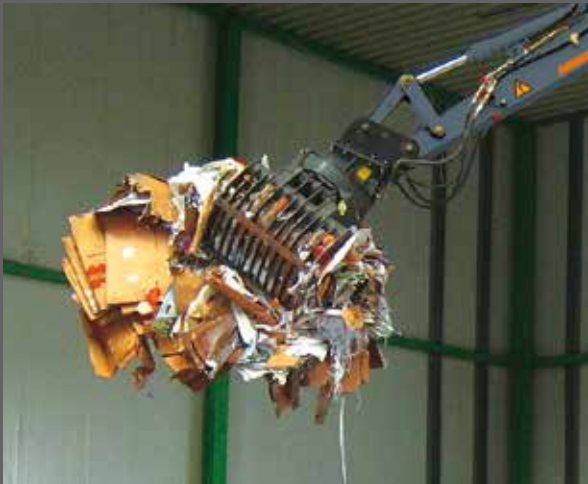



ATLAS

Material Handler 300MH



-  27.8 - 31.5 t
-  125 kW (170 hp)
-  10.3 - 16.4 m



FAST. RELIABLE. VERSATILE.

300MH

Technical specifications

ENGINE

Power according to ISO 9249.....125kW (170 hp)	Cylinder capacity.....6700 cm ³	Air filter.....Dry air filter
RPM.....2000/min	Number of cylinders.....6	Battery.....2x 12V/2x 100Ah
Make.....CUMMINS QSB 6.7 (Stage 3B)	Cooling system.....Water-cooled	Alternator.....24 V/70Ah
Design.....Turbocharger / intercooler	Borehole/lift.....101 / 126	Starter.....24V/3.2kW

HYDRAULIC SYSTEM

<ul style="list-style-type: none"> • 2 Load limit controlled high-performance piston pumps • Dual-circuit hydraulic system • 7 standard consumer loads in one control block • Sensitive, proportional, independent control • Primary and secondary protection against overload • Suction valves for all work functions 	<ul style="list-style-type: none"> • Load-retaining and fine lowering valve in lifting circuit • Pump flow control • Grab and grab-rotating function • Fuel-efficient flow-on-demand control • Pipe-break protection valves for lifting cylinders • Up to 2 additional control circuits possible 	<ul style="list-style-type: none"> • Max. oil flow...../..380 l/min • Max. operating pressure.....340 bar • Operating modes: 3 pre-programmed modes (Fine, Eco, Power)
------------------------------------------------------------------------------------------------------------------------------------------------------------------------------------------------------------------------------------------------------------------------------------------------------------------------------------------------------------------------------------	--------------------------------------------------------------------------------------------------------------------------------------------------------------------------------------------------------------------------------------------------------------------------------------------------------------------------------------------------------------	--------------------------------------------------------------------------------------------------------------------------------------------------------------------------------------------------------------------

SWING ASSEMBLY

• Swing motor	Axial piston motor with priority valve	• Max. swing speed11/min
• Swing gear	Planetary transmission	• Swing torque63.2 kNm
• Swing brake:	Automatic multidisc brake	

TRACTION DRIVE AND BRAKES

• Variable displacement motor	• Maximum speed20 km/h	• Dual circuit brake systemMulti-disc
• 2-gear transmission	• Terrain speed5 km/h	• Parking brakespring-loaded brake
• Double-acting brake valve	• Crawling speed1 km/h	
• Driving direction pre-selection via switch in joystick		

UNDERCARRIAGE

• 56 t special excavator axles	• Steering axle with automatic oscillating axle blocking	• 8 tyres12.00 - 20
--------------------------------	----------------------------------------------------------	---------------------------

FILL CAPACITIES

• Fuel tank 389 Liter	• Engine oil 20 Liter	• Hydraulics system400 Liter
• Cooling system 42 Liter	• Hydraulic tank 216 Liter	

DRIVER'S CAB

<ul style="list-style-type: none"> • Meets latest safety standards • Extra large entry zone • Spacious leg room • Excellent circumferential visibility • Preparation for radio installation with mute function 	<p>CONTROL:</p> <ul style="list-style-type: none"> • Ergonomic joystick • Slim steering column, height and tilt adjustable • Indicators, controls and operating switches are clearly arranged 	<p>CLIMATE CONTROL:</p> <ul style="list-style-type: none"> • Air conditioning equipped as standard • Very good air distribution through optimally arranged nozzles
<p>DRIVER'S SEAT:</p> <ul style="list-style-type: none"> • Air-cushioned comfort seat (optional seat heating) • Arm rests and lumbar support • Seat adjustable separately from console 	<p>MONITORING</p> <ul style="list-style-type: none"> • Operating data display screen • Automatic system for monitoring, warning and storage of data 	<p>SOUND LEVELS:</p> <ul style="list-style-type: none"> • ISO6396 (L_{PA}) in driver's cab74 dB(A) • 2000/14EG (L_{WA}) ambience level103 dB(A)

Working equipment

OPERATING WEIGHTS

**LOADING BOOM
6.60 m (C25.5i)**

**LOADING BOOM
8.00 m (C25.6i)**

**Stick 5.00 m
(D25.15i)**

**Stick 6.00 m
(D25.16i)**

4 outriggers

31,1 t

31,5 t

Operating weight with driver, solid rubber tyres, completely filled implement and 1.5 t for attachments and 1.4 t for lift-cab (option).

EQUIPMENT

BASIC DEVICE Atlas 300MH

- 300MH material handler with quadruple outrigger support and 2 lifting cylinders

Standard equipment

- Slim steering column, height and tilt adjustable
- Different options for storage, compartment for documents
- Ready for electric cooling box
- Seat adjustable separately from console
- Heat-absorbing glass, tinted windows
- Automotive drive and cruise control
- Operating data screen display
- Bottle holder

Mono Booms:

- Loading boom 6.60 m (C25.5i)
- Loading boom 8.00 m (C25.6i)

Engine:

- Automatic idle
- Diesel pre-filter
- Engine monitoring

Mono Sticks:

- Stick 5.00 m (D25.15i)
- Stick 6.00 m (D25.16i)

Hydraulics:

- Grab and grab-rotating function
- Accumulator for emergency lowering of the arm system
- Pipe break protection valves for lifting cylinders
- Overload warning device
- Cylinder end damping
- Max. load-limit control

Equipment:

- Combined lubricating points for swing bearing and arm equipment

Undercarriage:

- Wet disc brakes
- Tool box in the undercarriage

Cab:

- Air-conditioning
- Preparation for radio installation with mute function

ADDITIONAL EQUIPMENT

Engine:

- Refueling pump
- Engine speed adjustment via potentiometer
- Auxiliary heating
- Cold start assistance

Equipment:

- Automatically controlled and monitored electric central lubrication system

- Cab elevation 1,2 m/0,6 m
- Lift-Cab (elevation up to 2,5m)
- Xenon working lights

Cab:

- Cab protection guard
- Beacon light
- Heated driver's seat
- GPS/GSM telemetric system for monitoring of operating data, consumption, position
- Radio CD/MP3, front AUX in, USB
- Thermoelectric cooling box

Undercarriage:

- Solid rubber tyres

Other special equipment: see price list

Hydraulics:

- Hydr. adaptor kit, switch supports pairwise in front and back
- Hydr. adaptor kit, switch supports individually
- Bio oil

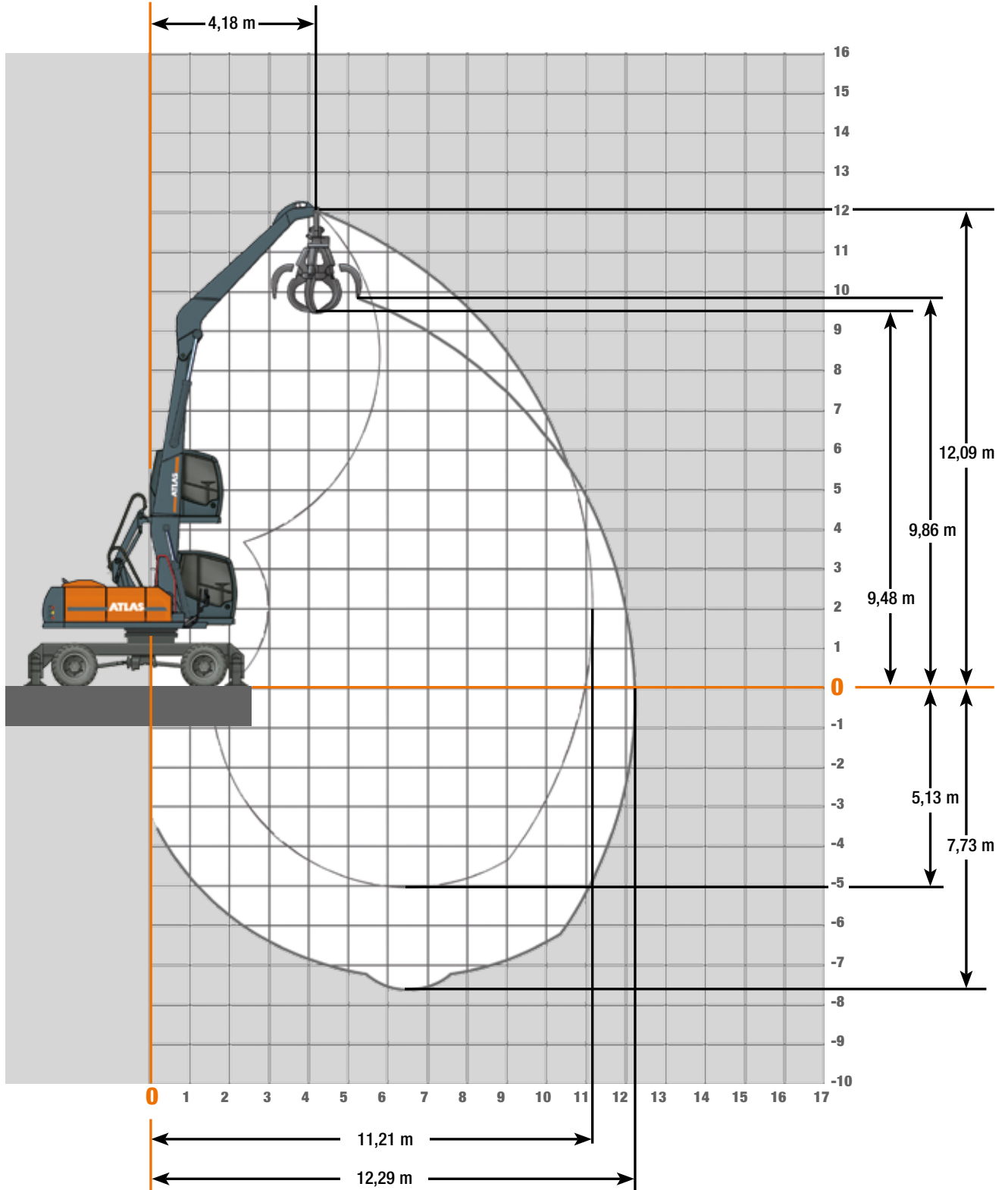
ATTACHMENTS

- Clamshell grab
- Orange peel grab

- Load hook
- Load lifting magnet

- Log grab

Working ranges Loading boom 6.60 m (C25.5i) and stick 5.00 m (D25.15i)



Lifting Capacities Loading boom 6.60 m (C25.5i) and stick 5.00 m (D25.15i)

Lifting Capacities Loading boom 6.60 m (C25.5i) with stick 5.00 m (D25.15i). Max. reach 12.29 m

HEIGHT		3,5 m		4,5 m		5,5 m		6,5 m		7,5 m		9,5 m		10,5 m	
		FRONT	LATERAL	FRONT	LATERAL	FRONT	LATERAL	FRONT	LATERAL	FRONT	LATERAL	FRONT	LATERAL	FRONT	LATERAL
12,0 m	Claws hi / vo raised in back														
	Claws hi / vo lowered														
10,5 m	Claws hi / vo raised in back							8,5*	5,7	7,3	4,5				
	Claws hi / vo lowered							8,5*	8,5*	8,2*	8,2*				
9,0 m	Claws hi / vo raised in back							8,2*	5,8*	7,3	4,6				
	Claws hi / vo lowered							8,2*	8,2*	7,8*	7,8*				
7,5 m	Claws hi / vo in the back							8,4*	5,8	7,3	4,6	4,9	3,1		
	Claws hi / vo lowered							8,4*	8,4*	7,9*	7,9*	7,1*	6,4		
6,0 m	Claws hi / vo raised in back					9,9*	7,3	9,0*	5,6	7,2	4,5	4,9	3,0	4,2	2,5
	Claws hi / vo lowered					9,9*	9,9*	9,0*	9,0*	8,3*	8,3*	7,0	6,2	6,1	5,4
4,5 m	Claws hi / vo raised in back			13,1*	9,4	11,3*	6,9	9,8*	5,3	7,0	4,3	4,8	2,9	4,1	2,5
	Claws hi / vo lowered			13,1*	13,1*	11,3*	11,3*	9,8*	9,8*	8,8*	8,8*	7,0	6,2	6,0	5,3
3,0 m	Claws hi / vo raised in back	20,8*	12,4	15,7*	8,5	11,1*	6,4	8,4	5,0	6,8	4,1	4,7	2,8	4,1	2,4
	Claws hi / vo lowered	20,8*	20,8*	15,7*	15,6*	12,7*	12,7*	10,8*	10,8*	9,4*	8,9	6,9	6,1	5,9	5,3
1,5 m	Claws hi / vo raised in back	2,9*	2,9*	14,6*	7,8	10,5*	5,9	8,1	4,7	6,5	3,9	4,6	2,7	3,5	2,1
	Claws hi / vo lowered	2,9*	2,9*	15,2*	15,2*	13,8*	13,8*	11,4*	10,8*	9,8	8,6	6,8	6,0	5,2	4,6
0 m	Claws hi / vo raised in back			9,8*	7,4	10,1*	5,6	7,8	4,5	6,3	3,7	4,5	2,7	3,9	2,3
	Claws hi / vo lowered			9,8*	9,8*	13,9*	13,9*	11,5*	10,5*	9,6	8,4	6,7*	5,9	5,9	5,1
-1,5 m	Claws hi / vo raised in back			10,7*	7,3	10,0	5,5	7,7	4,4	6,3	3,6	4,5	2,6	3,9	2,4
	Claws hi / vo lowered			10,7*	10,7*	13*	13*	10,9*	10,4	9,2*	8,3	6,7	5,9	5,5*	5,2
-3,0 m	Claws hi / vo raised in back			13,0*	7,3	10,1	5,6	7,7	4,4	6,3	3,6	4,5	2,7		
	Claws hi / vo lowered			13,0*	13,0*	11,1*	11,1*	9,4*	9,4*	8,0*	8,0*	5,4*	5,4*		
-4,5 m	Claws hi / vo raised in back					8,1*	5,7	7,0*	4,5	5,8*	3,7				
	Claws hi / vo lowered					8,1*	8,1*	7,0*	7,0*	5,8*	5,8*				

The specified max. loading capacities in tonnes include a stability of 33% or are calculated at 87% of the hydraulic lifting power, as per ISO10567.

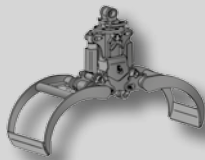
These values are applicable at the tip of the arm (without Bucket tipping cylinder, system of redirect levers) with optimum positioning of the corresponding arm system and with the pressure switched on.

Weights of attached load carrying accessories (grab, magnet, load hook, etc.) are not included with the load carrying values. * Value limited due to hydraulics.

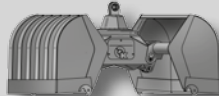
Attachments



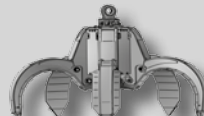
Load hook



Log grab



Clamshell grab

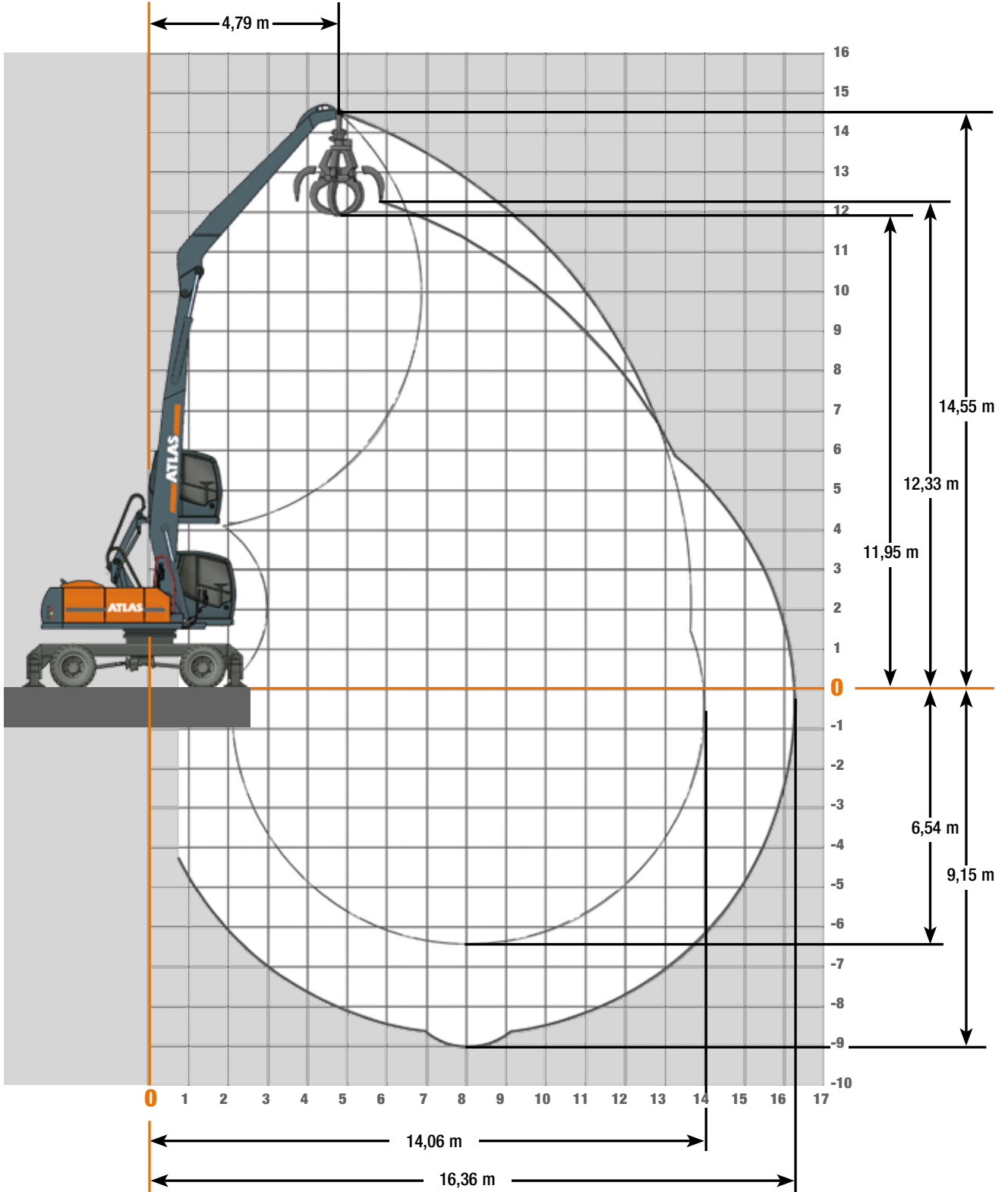


Orange peel grab



Load lifting magnet

Working ranges Loading boom 8.00 m (C25.6i) and stick 6.00 m (D25.16i)



Lifting Capacities Loading boom 8.00 m (C25.6i) and stick 6.00 m (D25.16i)

Lifting Capacities Loading Boom 8.00 m (C25.6i) with stick 6.00 m (D25.16i). Max reach 16.36 m

HEIGHT		4,5 m		6,5 m		7,5 m		9,5 m		10,5 m		11,5 m		12,5 m	
		FRONT	LATERAL	FRONT	LATERAL	FRONT	LATERAL	FRONT	LATERAL	FRONT	LATERAL	FRONT	LATERAL	FRONT	LATERAL
6,0 m	Claws hi / vo raised in back			8,4*	5,6	7,3	4,5	4,9	3,0	4,2	2,5	3,6	2,1	3,1	1,8
	Claws hi / vo lowered			8,4*	8,4*	7,5*	7,6*	6,4*	6,4	6,0*	5,4	5,3	4,7	4,6	4,1
4,5 m	Claws hi / vo raised in back	11,5*	9,2	8,7	5,2	6,9	4,2	4,8	2,9	4,1	2,4	3,5	2,1	3,1	1,8
	Claws hi / vo lowered	11,5*	11,5*	9,3*	8,3*	8,2*	8,2*	6,7*	6,2	6,0	5,3	5,2	4,6	4,5	4,0
3,0 m	Claws hi / vo raised in back	14,9*	7,9	8,2	4,7	6,6	3,9	4,6	2,7	3,9	2,3	3,4	2,0	3,0	1,7
	Claws hi / vo lowered	15,2*	15,2*	10,2*	10,2*	8,8*	8,7	6,8	6,0	5,8	5,2	5,1	4,5	4,5	3,9
1,5 m	Claws hi / vo raised in back	4,2*	4,2*	7,7	4,3	6,2	3,5	4,4	2,5	3,8	2,3	3,3	1,9	2,9	1,6
	Claws hi / vo lowered	4,2*	4,2*	10,8*	10,4*	9,2*	8,3	6,6	5,8	5,7	5,0	5,0	4,4	4,4	3,9
0 m	Claws hi / vo raised in back	3,8*	3,8*	7,3	4,4	5,9	3,3	4,2	2,4	3,7	2,1	3,3	1,8	2,9	1,6
	Claws hi / vo lowered	3,8*	3,8*	10,9*	10,0*	9,2	8,0	6,5	5,7	5,6	4,0	4,9	4,3	4,4	3,8
- 1,5 m	Claws hi / vo raised in back	4,9*	4,9*	7,1	3,8	5,8	3,2	4,2	2,3	3,6	2,0	3,2	1,8	2,9	1,6
	Claws hi / vo lowered	4,9*	4,9*	10,5*	9,8*	9,0*	7,8	6,4	5,6	5,5	4,8	4,9	4,3	4,4	3,8
- 3,0 m	Claws hi / vo raised in back	6,5*	6,4	7,1	3,8	5,8	3,1	4,1	2,3	3,6	2,0	3,2	1,8	2,9	1,6
	Claws hi / vo lowered	6,5*	6,5*	8,5*	8,5*	8,3*	7,8	6,3*	5,5	5,5	4,8	4,7*	4,3	3,9*	3,9
- 4,5 m	Claws hi / vo raised in back	8,3*	6,5	7,1	3,8	5,8	3,2	4,2	2,3	3,7	2,1	3,3	1,8		
	Claws hi / vo lowered	8,3*	8,3*	8,0*	8,0*	7,1*	7,1*	5,3*	5,3*	4,5*	4,5*	3,6*	3,6*		
- 6,0 m	Claws hi / vo raised in back	8,3*	6,5	7,1	3,8	5,8	3,2	4,2	2,3						
	Claws hi / vo lowered	8,3*	8,3*	8,0*	8,0*	7,1*	7,1*	5,3*	5,3*						

The specified max. loading capacities in tonnes include a stability of 33% or are calculated at 87% of the hydraulic lifting power, as per ISO10567.

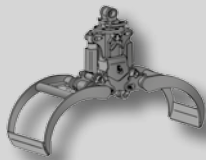
These values are applicable at the tip of the arm (without Bucket tipping cylinder, system of redirect levers) with optimum positioning of the corresponding arm system and with the pressure switched on.

Weights of attached load carrying accessories (grab, magnet, load hook, etc.) are not included with the load carrying values. * Value limited due to hydraulics.

Attachments



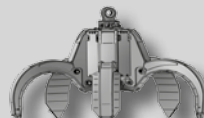
Load hook



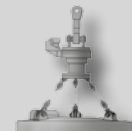
Log grab



Clamshell grab



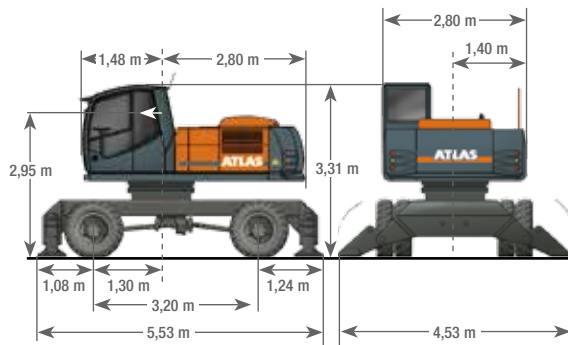
Orange peel grab



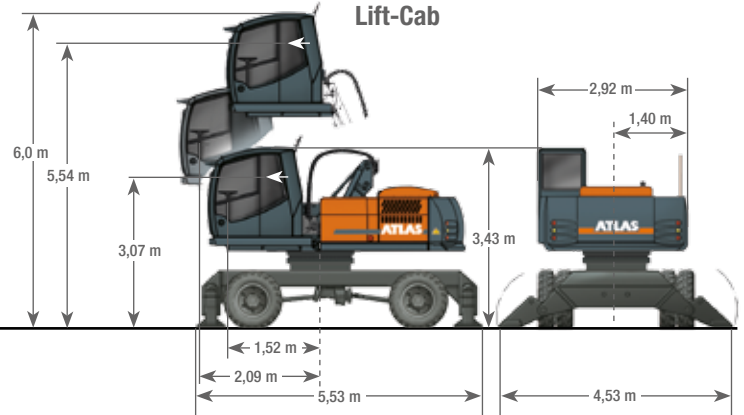
Load lifting magnet

Dimensions

Standard-Cab



Lift-Cab



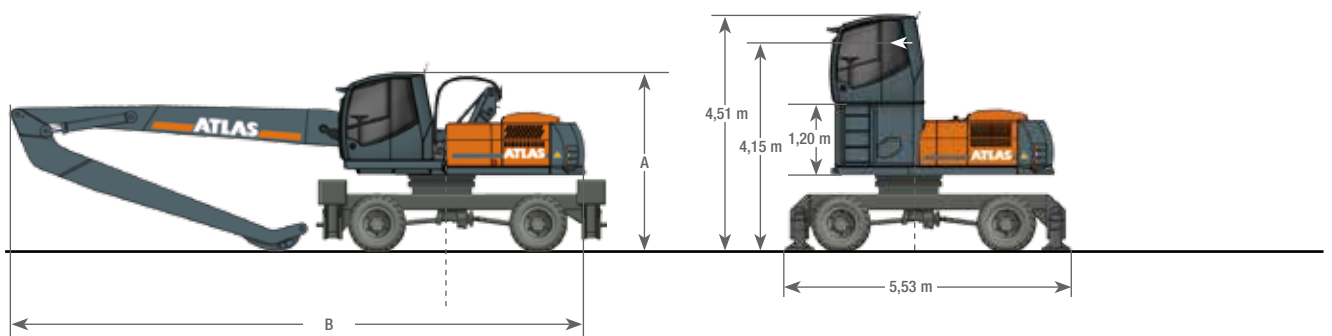
(A) TRANSPORT HEIGHT

Loading boom 6.60 m with stick 5.00 m	3.44 m
Loading boom 8.00 m with stick 6.00 m	3.44 m

(B) TRANSPORT LENGTH

Loading boom 6.60 m with stick 5.00 m	9.94 m
Loading boom 6.80 m with stick 6.00 m	9.94 m

Cab elevation 1.20 m



Further variations of cabs on request

www.atlasgmbh.com

ATLAS Maschinen GmbH
EXCAVATORS
Atlasstrasse 6
27777 Ganderkesee, Germany
T: +49 (0) 4222 954 0
F: +49 (0) 4222 954 343
info@atlasgmbh.com

300MH-EN (1) Effective date: February 2012. Product specifications and prices are subject to change without notice or obligation. The photographs and/or drawings in this document are for illustrative purposes only. Refer to the appropriate Operator's Manual for instructions on the proper use of this equipment. Failure to follow the appropriate Operator's Manual when using our equipment or to otherwise act irresponsibly may result in serious injury or death. The only warranty applicable to our equipment is the standard written warranty applicable to the particular product and sale and Atlas makes no other warranty, express or implied. The only warranty applicable to our equipment is the standard written warranty applicable to the particular product and sale and Atlas makes no other warranty, express or implied. Products and services listed may be trademarks, service marks or trade-names of Atlas Maschinen GmbH and/or its subsidiaries. All rights are reserved. Atlas® is a registered trademark of Atlas Maschinen GmbH. Copyright © 2012 Atlas Maschinen GmbH.