

ATLAS®

NEW 2015 140W 150W 160W Wheeled Excavators complete with HILL quick hitch system

STABLE. STRONG. STEADY.

140W 150W 160W



FOR IMMEDIATE HIRE - £350 PER WEEK
CALL 07771 654986

600 mm, 1200 mm and 2000 mm



	140W	150W	160W
	13,8 - 15,7 t	15,3 - 17,0 t	16.0 - 17.8 t
	80 kW (109 hp)	95 kW (130 hp)	105 kW (143 hp)
	0,7 - 1,0 m ³	0,7 - 1,1 m ³	0.7 - 1.3 m ³



Technical specifications

ENGINE - 140W	- 150W	- 160W
Power rating acc. to ISO 9249..... 80 kW (109 HP)	Power according to ISO 9249.....95 kW (130 hp)	Power rating acc. to ISO 9249..... 105 kW (143 HP)
RPM 1800/min	RPM.....1800/min	RPM.....1800/min
Make / model Deutz TCD 4.1 (Stage 3B)	Make/model.....Deutz TCD 4.1 (Stage 3B)	Make / model.....Deutz / TCD 6.1 (Stage 3B)
Design..... Turbocharger	Design Turbocharger/LLK	Design.....Turbocharger / charge-air cooling
Displacement..... 4038 cm ³	Cylinder capacity.....4038 cm ³	Displacement.....6057 cm ³
Number of cylinders4	Number of cylinders.....4	Number of cylinders 6
Bore / cylinder stroke 101 / 126	Borehole/lift101/126	Bore / cylinder stroke 101 / 126
Cooling system Water-cooled	Cooling systemWater-cooled	Cooling system Water-cooled
Air filter..... Dry air filter	Air filterDry air filter	Air filter Dry air filter
Battery 2 x 12 V / 100 Ah	Battery.....2x 12V 2x100 Ah	Battery2 x 12 V / 100 Ah
Generator..... 24 V / 55 Ah	Alternator24V / 100 Ah	Alternator24 V / 100 Ah
Starter..... 24 V / 4 kW	Starter24 V / 4 kW	Starter.....24 V / 4.8 kW

HYDRAULIC SYSTEM

- AWE 5 system (Load sensing)
- Load limit controlled high-performance pump
- Fuel-efficient flow-on-demand control
- Sensitive, proportional, independent control
- Primary and secondary protection against overload
- Suction valves for all work functions
- Load-retaining and fine lowering valves in lifting circuit
- Pipe break protection valves for lifting and articulated cylinders
- Grab / grab-rotating function equipped as standard
- 2 additional circuits for additional consumer loads possible
- Max. oil flow - 140W188 l/min
- Max. oil flow - 150W, 160W260 l/min
- Max. operating pressure360 bar
- Operating modes:
3 pre-programmed modes (Fine, Eco, Power)

SWING ASSEMBLY

- Swing motor: Axial piston motor with priority valve
- Swing gear: Planetary transmission
- Swing brake: Automatically controlled multi-disc brake
- Max. swing speed9/min
- Swing torque - 140W 34.7 kNm
- Swing torque - 150W, 160W..... 41 kNm

TRACTION DRIVE AND BRAKES

- Variable displacement motor
- Power-shift transmission
- Travel direction pre-selection via switch in joystick
- Double-acting brake valve
- Automotive traveling and cruise control
- Max. speed20 km/h
- Off-road speed5 km/h
- Crawling speed.....1 km/h
- High-speed execution35 km/h
- Tractive force - 140W83.0 kN
- Tractive force - 150W, 160W92.7 kN
- Max. gradeability.....65, 60, 55 % (140W, 150W, 160W)
- Dual-circuit brake system Multi-disc
- Parking brake Multi-disc

UNDERCARRIAGE

- 28 tons special excavator axles
- Steering axle with automatic oscillating axle locking
- 8 tires (twins) 10.00 - 20
- 4 tires (optional) 600 - 22.5

FILL CAPACITIES - 140W

- Fuel tank240 litres
- Cooling system 35 litres
- Engine oil..... 10 litres
- Hydraulic tank157 litres
- Hydraulic system.....200 litres

- 150W

- Fuel tank 247 litres
- Cooling system 35 litres
- Engine oil 10 litres
- Hydraulic tank 180 litres
- Hydraulics system 220 litres

- 160W

- Fuel tank247 litres
- Cooling system.....38 litres
- Engine oil..... 10 litres
- Hydraulic tank180 litres
- Hydraulic system.....220 litres

DRIVER'S CAB

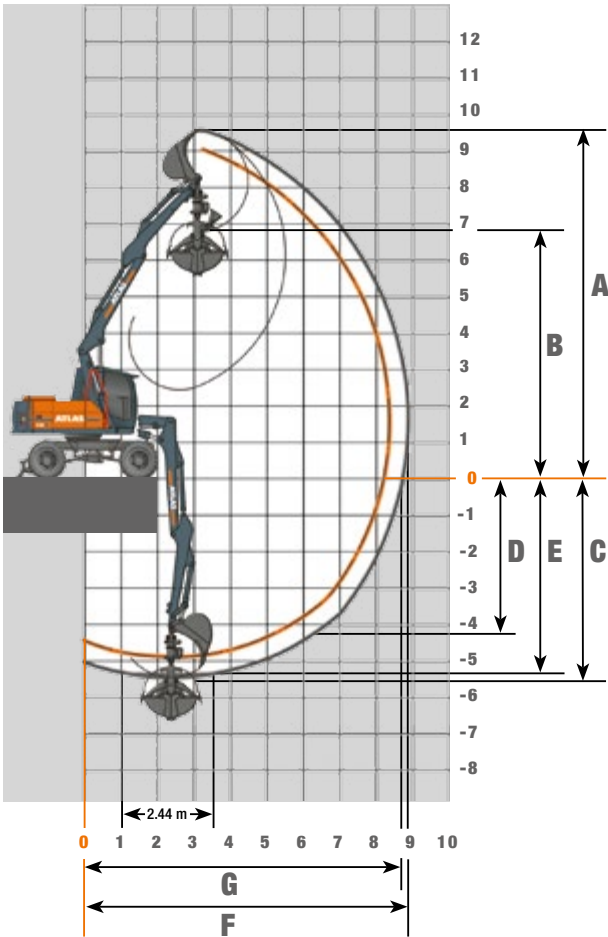
- Meets latest safety standards
- Extra large entry zone
- Spacious leg room
- Excellent circumferential visibility
- Preparation for radio installation with mute function
- DRIVER'S SEAT:
 - Air-cushioned comfort seat (seat heating optional)
 - Arm rests and lumbar support
 - Seat adjustable separately from console
- CONTROL:
 - Ergonomic joysticks with proportional slide control
 - Slim steering column, height and tilt adjustable
 - Indicators, controls and operating switches are clearly arranged
- MONITORING:
 - Operating data display screen
 - Automatic system for monitoring, warning and storage of data
- CLIMATE CONTROL:
 - Air conditioning with Climatronic
 - Excellent air distribution through optimally arranged nozzles
- SOUND LEVELS:
 - ISO 6396 (L_pA) in driver's cab 70 dB(A)
 - 2000/14 EG (L_wA) ambience level.... 97 dB(A)

140W 150W 160W

Working ranges Adjustable boom: Base arm 1,95 m (C3.41) and boom 3,07 m (C346)

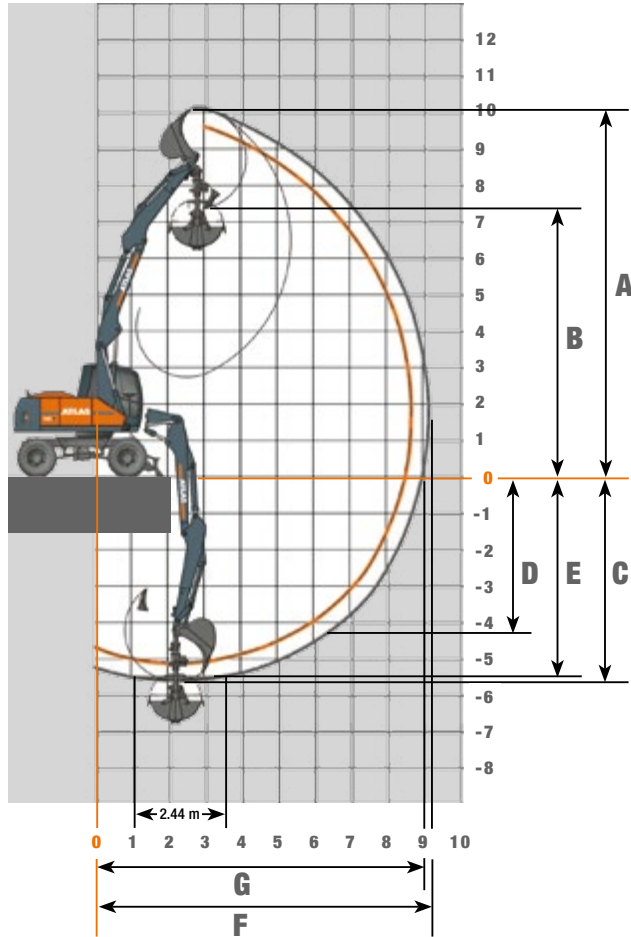
140W

Adjustable boom: Base arm 1,95 m (C3.41) and boom 3,07 m (C346)



150W, 160W

Adjustable boom: Base arm 1.87 m (C6.41) and boom 3.10 m (C6.46)



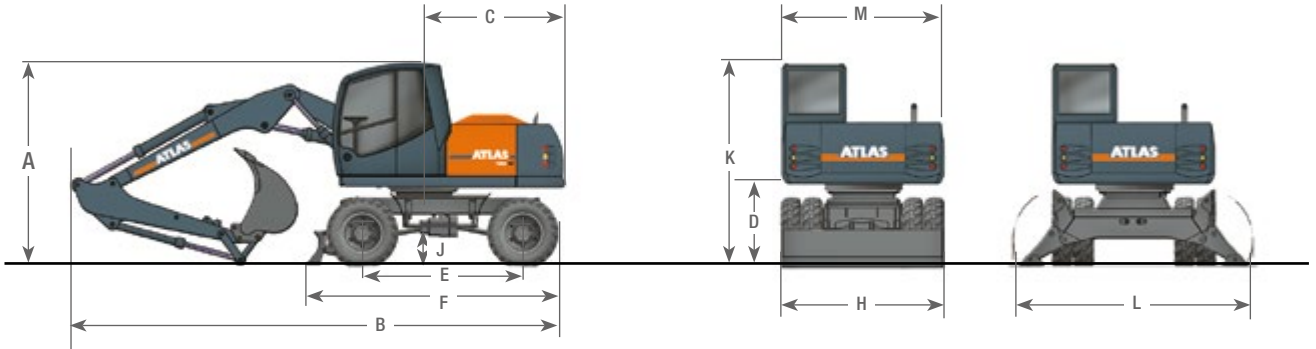
STICK LENGTHS	1.96 m (D32)		2.15 m (D6.2)		2.50 m (D33)		2.65 m (D6.3)		
	140W	150W	160W	140W	150W	160W	140W	150W	160W
A Max. digging height	9.10 m	9.70 m	9.70 m	9.50 m	10.10 m	10.10 m			
B Max. dumping height	6.35 m	6.95 m	6.95 m	5.70 m	7.35 m	7.35 m			
C Max digging depth	4.90 m	5.10 m	5.10 m	5.40 m	5.60 m	5.60 m			
D Max. vertical wall digging depth	3.65 m	3.80 m	3.80 m	4.20 m	4.30 m	4.30 m			
E Max. digging depth of cut for 2.44 m level	4.75 m	5.00 m	5.00 m	5.30 m	5.50 m	5.50 m			
F Max. digging reach	8.40 m	8.70 m	8.70 m	8.90 m	9.20 m	9.20 m			
G Max. digging reach at ground level	8.15 m	8.55 m	8.55 m	8.70 m	9.05 m	9.00 m			
Max. bucket digging force	106 kN	130 kN	130 kN	106 kN	130 kN	130 kN			
Max. stick digging force	64 kN	82 kN	82 kN	55 kN	72 kN	72 kN			

Unit is equipped with standard adjustable boom: 140W - base arm 1.95 m (C3.41) and boom 3.07 m (C346), 150W and 160W - base arm 1.87 m (C6.41) and boom 3.10 m (C6.46).

OTHER BOOMS:

- Monoblock boom with stick cylinder 4.22 m (C 3.3M) - 140W
- Monoblock boom with stick cylinder 4.32 m (C 6.3M) - 150W
- Monoblock boom with stick cylinder 4.32 m (C 6.3M) - 160W

Dimensions



A TRANSPORT HEIGHT (with bucket) - 140W			
Adjustable boom* with stick 1.96 m	3.08 m	C	TAIL SWING RADIUS.....1.98 m
Adjustable boom* with stick 2.50 m	3.08 m	D	CLEARANCE UNDER COUNTERWEIGHT.....1.22 m
Monoblock boom 4.22 m with stick 1.96 m	3.08 m	E	WHEEL BASE.....2.50 m
Monoblock boom 4.22 m with stick 2.50 m	3.08 m	F	UNDERCARRIAGE LENGTH.....3.98 m
B TRANSPORT LENGTH			
Adjustable boom* with stick 1.96 m	7.72 m	H	DOZER BLADE WIDTH.....2.54 m
Adjustable boom* with stick 2.50 m	7.68 m	J	GROUND CLEARANCE.....0.45 m
Monoblock boom 4.22 m with stick 1.96 m	7.30 m	K	OVERALL HEIGHT OF CAB.....3.08 m
Monoblock boom 4.22 m with stick 2.50 m	7.25 m	L	OUTRIGGERS WIDTH (extended).....3.50 m
		M	OVERALL WIDTH OF SUPERSTRUCTURE.....2.50 m

* Adjustable boom: Base arm 1.95 m (C3.41) and boom 3.07 m (C346)

A TRANSPORT HEIGHT (with bucket) - 150W			
Adjustable boom* with stick 2.15 m	3.08 m	C	REAR PIVOTING RADIUS.....2.19 m
Adjustable boom* with stick 2.65 m	3.08 m	D	CLEARANCE HEIGHT TO COUNTERWEIGHT.....1.22 m
Monoblock boom 4.32 m with stick 2.15 m	3.15 m	E	WHEEL BASE.....2.50 m
Monoblock boom 4.32 m with stick 2.65 m	3.15 m	F	UNDERCARRIAGE LENGTH.....3.98 m
B TRANSPORT LENGTH			
Adjustable boom* with stick 2.15 m	7.71 m	H	DOZER BLADE WIDTH.....2.54 m
Adjustable boom* with stick 2.65 m	8.85 m	J	GROUND CLEARANCE.....0.45 m
Monoblock boom 4.32 m with stick 2.15 m	7.55 m	K	HEIGHT ABOVE CAB.....3.08 m
Monoblock boom 4.32 m with stick 2.56 m	7.55 m	L	OUTRIGGER WIDTH (extended).....3.50 m
		M	SUPERSTRUCTURE TRANSPORT WIDTH.....2.50 m

* Adjustable boom: base arm 1.87 m (C6.41) and boom 3.10 m (C6.46)

A TRANSPORT HEIGHT (with bucket) - 160W			
Adjustable boom* with stick 2.15 m	3.08 m	C	TAIL SWING RADIUS.....2.19 m
Adjustable boom* with stick 2.65 m	3.08 m	D	CLEARANCE UNDER COUNTERWEIGHT.....1.22 m
Monoblock boom 4.32 m with stick 2.15 m	3.15 m	E	WHEEL BASE.....2.50 m
Monoblock boom 4.32 m with stick 2.65 m	3.15 m	F	UNDERCARRIAGE LENGTH.....3.98 m
B TRANSPORT LENGTH			
Adjustable boom* with stick 2.15 m	7.71 m	H	DOZER BLADE WIDTH.....2.49 m
Adjustable boom* with stick 2.65 m	8.85 m	J	GROUND CLEARANCE.....0.45 m
Monoblock boom 4.32 m with stick 2.15 m	7.55 m	K	OVERALL HEIGHT OF CAB.....3.08 m
Monoblock boom 4.32 m with stick 2.65 m	7.55 m	L	OUTRIGGERS WIDTH (extended).....3.50 m
		M	OVERALL WIDTH OF SUPERSTRUCTURE.....2.49 m

* Adjustable boom: Base arm 1.87 m (C6.41) and boom 3.10 m (C6.46)

www.atlas-cranes.co.uk

ATLAS Cranes UK Ltd

Euroway Trading Estate
Bradford, UK
T: 08444 996688
F: 01274 653785
atlasuk@atlasgmbh.com